

Hardware

Secondary Terminals for SCU7000/x Universal Control Unit



PM620 SECONDARY TERMINAL SURFACE-MOUNTED

Secondary terminal with contactless MIFARE/LEGIC reader. The terminal has an RS485 interface for connection to an SCU7000/x Universal Control Unit. Depending on the software licence, it can be used for time management and/or access management.

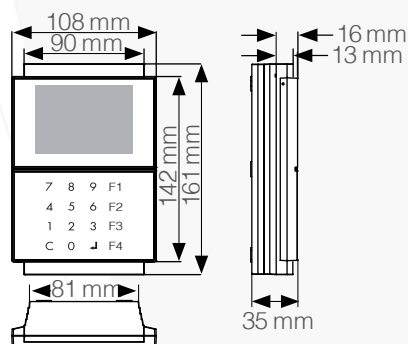
The terminal is part of the Skyline series and is supplied in a silver-coloured casing with a black control panel.

▼ PM620 SURFACE-MOUNTED

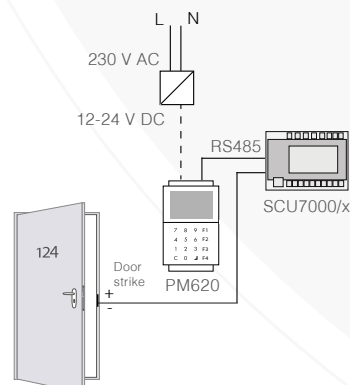
MH9744 PM620, MIFARE Classic / DESFire, surface-mounted

MH9745 PM620, LEGIC prime / advant, surface-mounted

Dimensions



Installation example



Note: An external power supply is only required when connecting to an SCU7000/32. In this case, the door strike is connected to the PM620.

► FEATURES

- Contactless reader technology
- Online operation with SCU7000/x Universal Control Unit
- Optical status display via display
- Acoustic feedback via signal transmitter
- Power supply:
 - via control unit: only SCU7000/2/4/8
 - via external power supply: with SCU7000/x (reader and door strike)
- 12 capacitive, blue-illuminated entry keys, 10 for free configuration on 4 levels each
- 4 capacitive, blue-illuminated function keys, for free configuration on 4 levels each
- Up to 4 information values per employee
- Clock-In, Clock-Out, offsite-work, shift bookings
- Access bookings
- Arming/disarming of a hazard detection system
- Online-balance display
- Bookings stored/managed in universal control unit
- 3,5" full graphics TFT display, 320 x 240 pixels
- Display: weekday, date, time
Display of up to 4 text lines
- Integrated sabotage contact for connection to universal control unit
- Reading range up to 5 cm

TECHNICAL DATA

Voltage supply	12 V DC by SCU7000/2/4/8 or 12 V DC external (SCU7000/x)
Max. power input	2.2 W
Max. power consumption	150 mA at 12 V DC
Ambient temperature	-5 to 45 °C
IP protection class	53
Interface	RS485 / 2-wire
Connections	2 optocoupler inputs 2 relay outputs (for door strike)
Dimensions (H x W x D)	161 x 108 x 35 mm
Casing colour	Silver (RAL 9006)
Material	Plastic
Weight	0.2 kg
Mounting	Surface-mounted

▼ ACCESSORIES AND OPTIONS

- MH8772 Built-in power supply 24 W
- MB5384 Decentralised authorisation assignment per reader